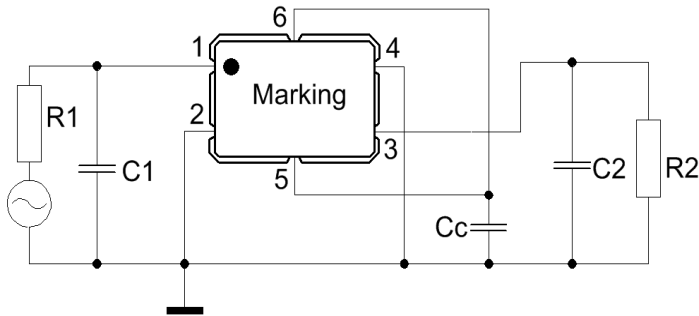


Specification for monolithic crystal filter:

MQF 70.05 - 2000 / 08

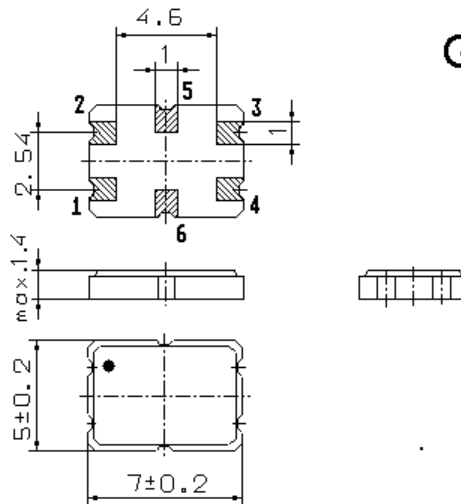
1. General

1.1. Package:

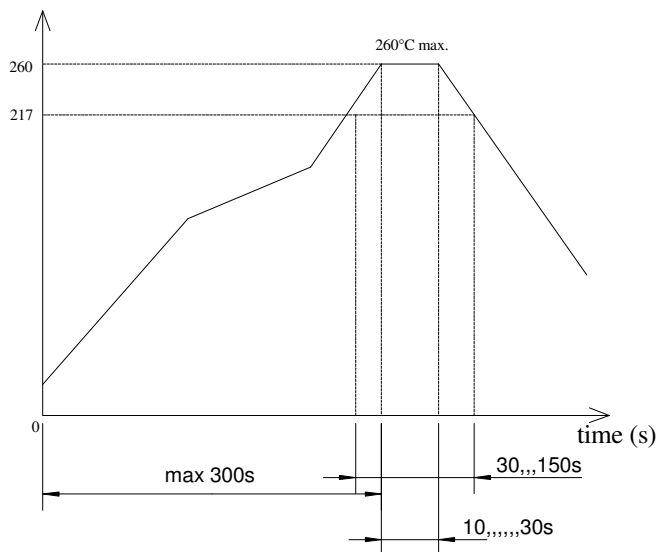


- pin1 INPUT
- pin2,4 GND
- pin3 OUTPUT
- pin5,6 Coupling capacitance Cc

GS 2



temperature (°C)



Reflow soldering: three times max.

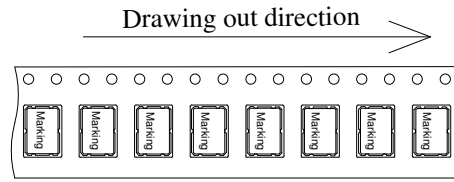
- | | |
|-----------------------------------|---------------------|
| 1.2. Type name: | MQF 70.05-2000/08 |
| 1.3. Number of poles: | 4, fundamental mode |
| 1.4. Operating temperature range: | -20°C to +70°C |
| 1.5. Storage temperature range: | -40°C to +85°C |

2. Electric values

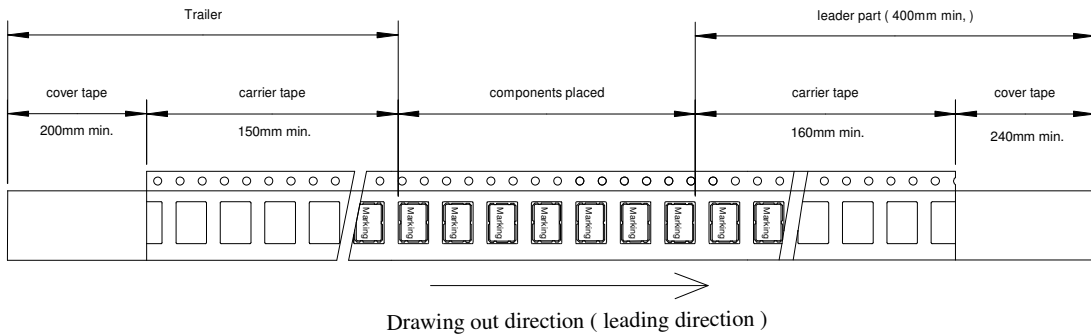
- | | |
|---|---------------------------|
| 2.1. Nominal centre frequency fo: | 70.05 MHz |
| 2.2. Pass band | |
| 2.2.1. Bandwidth between 3 dB - frequencies: | > fo ± 10.0 kHz |
| 2.2.2. Ripple: (peak to valley) | < 1.0 dB |
| 2.2.3. Insertion loss:
(measured on smallest attenuation in pass band) | < 4.5 dB |
| 2.3. Stop band | |
| 2.3.1. fo ± 25 kHz | > 20 dB |
| 2.3.2. Alternate attenuation at fo ± 910 kHz | > 70 dB (except spurious) |
| 2.3.3. Spurious responses (within fo ± 1.0 MHz) | > 35 dB |
| 2.4. Terminating impedance R//C (input and output): | 800 Ω // 1.0 pF |
| 2.4.1 Coupling capacitance: | 5.0 pF |
| 2.5. Maximum input power, working / non-damaged | -20 / 0 dBm |
| 2.6. Outband Intermodulation | |
| 2.6.1. frequency 1/2: | 70.0 MHz / 70.1 MHz |
| 2.6.2. Input power level: | -20 dBm |
| 2.6.3. IMD | > 90 dB |
| 2.7.1. frequency 3/4: | 69.95 MHz / 70.15 MHz |
| 2.7.2. Input power level: | -20 dBm |
| 2.7.3. IMD | > 90 dB |
| 3. Marking on the case: | • M7005A
yyww |
| 4. Environment conditions: | according to CF001 |
| 5. Filters are Pb-free and 2002 /95 / EC RoHS compliant | |

6. Packing

maximum 1000 pcs. / reel

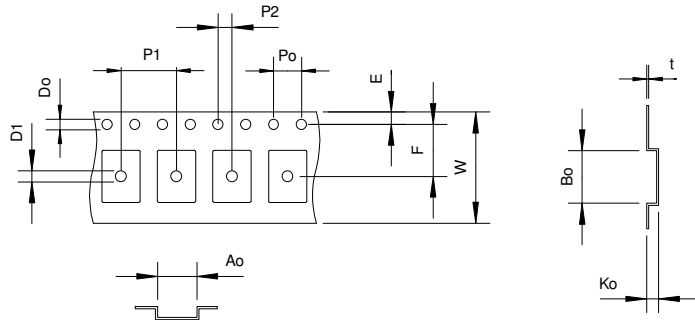


Tape dimension (mm)



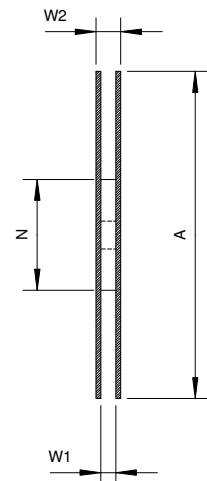
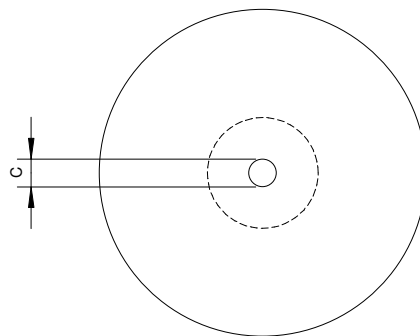
Tape (all dimensions in mm)

- W: 16.0 ± 0.1
- Po: 4.0 ± 0.1
- P1: 8.0 ± 0.1
- P2: 2.0 ± 0.1
- Do: $1.5 +0.1 / -0$
- D1: $1.6 +0.1 / -0$
- E: 1.75 ± 0.1
- F: 7.5 ± 0.1
- Ko: 1.7 ± 0.1
- Ao: 5.6 ± 0.1
- Bo: 7.6 ± 0.1
- t: 0.3 ± 0.05



Reel (all dimension in mm)

- A: $\varnothing 178 \pm 2$
- C: $\varnothing 13 \pm 0.5$
- N: $\varnothing 60 \pm 1$
- W1: 17.5 ± 1.5
- W2: 21.5 ± 1.5



Edited by: _____ date: _____ name: _____