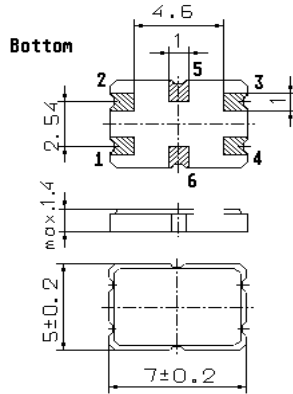


Specification for monolithic crystal filter:

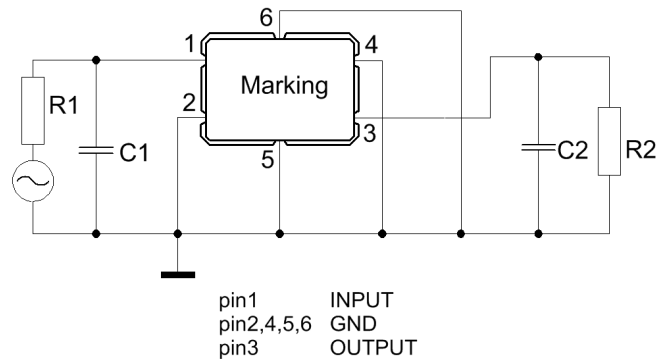
**MQF 50.725 - 2500/01**

1. General

1.1. Package:

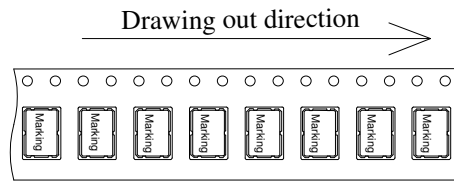


**GS 2**

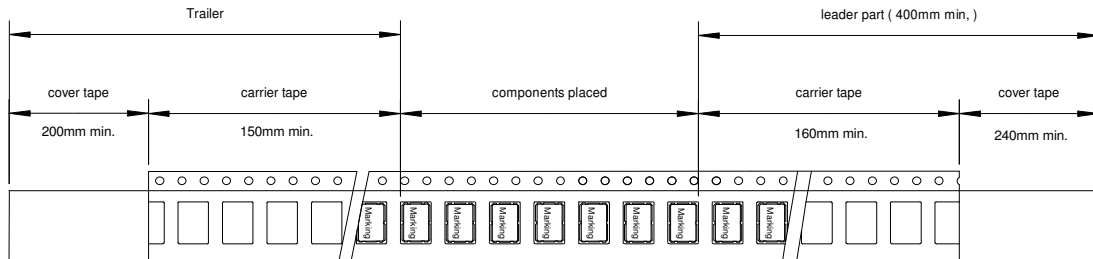


- |   |                                 |
|---|---------------------------------|
| 1.2. Type name:   | MQF 50.725-2500/01              |
| 1.3. Number of poles:                                   | 2                               |
| 1.4. Operating temperature range:                       | -40°C to +85°C                  |
| 1.5. Storage temperature range:                         | -54°C to +100°C                 |
| <b>2. Electric values</b>                               |                                 |
| 2.1. Nominal centre frequency fo:                       | 50.725 MHz                      |
| <b>2.2. Pass band</b>                                   |                                 |
| 2.2.1. Bandwidth between 3 dB - frequencies:            | > fo ± 12.0 kHz                 |
| 2.2.2. Ripple:  | < 1.0 dB at fo ± 8.0 kHz        |
| 2.2.3. Insertion loss:                                  | < 4.0 dB                        |
| ( measured on smallest attenuation in pass band )       |                                 |
| <b>2.3. Stop band</b>                                   |                                 |
| 2.3.1. fo ± 49 kHz                                      | > 14 dB                         |
| 2.3.2. fo ± 95 kHz                                      | > 25 dB                         |
| 2.3.3. Alternate attenuation fo ± 800 kHz               | > 60 dB (except spurious)       |
| 2.4. Terminating impedance R/C ( input and output ):    | 850 Ω // 1.0 pF                 |
| 2.5. Maximum input power level:                         | +10 dBm                         |
| <b>2.6. 3rd order outband intermodulation</b>           |                                 |
| test tones frequency:                                   | fo ± 50 kHz / fo ± 100 kHz      |
| Input power level:                                      | -10 dBm                         |
| Intermodulation products at fo ( IP3 > +35 dBm )        | < -100 dBm                      |
| ( 90 dB down from both -10dBm input test tones )        |                                 |
| 3. Marking:   | ■ M50.7A<br>yyww                |
| 4. Environment conditions:                              | Corresponding to Vectron CF001  |
| 5. Filters are Pb-free and 2002 /95 / EC RoHS compliant |                                 |
| <b>6. Reflow soldering for Pb-free assembly:</b>        |                                 |
|   | > 100°C for maximum 600 seconds |
|   | > 200°C for maximum 180 seconds |
|   | > 260°C for maximum 30 seconds  |
|   | ( peak temperature )            |
|   | cool - down time: 2 hours       |

7. Packing:

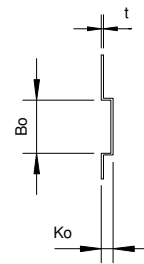
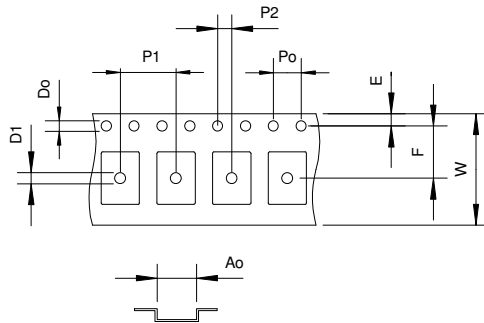


Tape dimension ( mm )



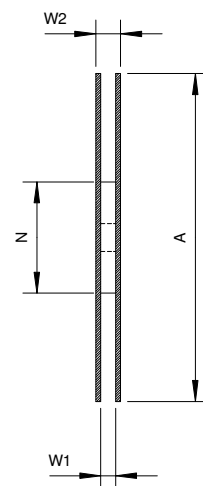
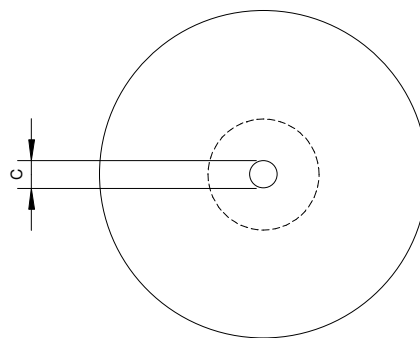
Tape ( all dimensions in mm )

- W:  $16.0 \pm 0.1$
- Po:  $4.0 \pm 0.1$
- P1:  $8.0 \pm 0.1$
- P2:  $2.0 \pm 0.1$
- Do:  $1.5 +0.1 / -0$
- D1:  $1.6 +0.1 / -0$
- E:  $1.75 \pm 0.1$
- F:  $7.5 \pm 0.1$
- Ko:  $1.7 \pm 0.1$
- Ao:  $5.6 \pm 0.1$
- Bo:  $7.6 \pm 0.1$
- t:  $0.3 \pm 0.05$



Reel ( all dimension in mm )

- A:  $\varnothing 178 \pm 2$
- C:  $\varnothing 13 \pm 0.5$
- N:  $\varnothing 60 \pm 1$
- W1:  $17.5 \pm 1.5$
- W2:  $21.5 \pm 1.5$



Edited by: \_\_\_\_\_ date: \_\_\_\_\_ name: \_\_\_\_\_